

Router Bit Cabinet





Cut List

Section	Part ID	Part Description	Material	QTY	Width	Length	Thickness
Case Assembly	A	Top/Bottom	4/4 Hardwood Species 1	2	5"	17 1/2"	3/4"
	B	Side	4/4 Hardwood Species 1	2	5"	29 1/2"	3/4"
	C	Dovetail Shelf	4/4 Hardwood Species 1	1	3"	16 3/4"	3/4"
	D	Back Panel	1/2" Plywood Species 1	1	17 1/4"	29 1/4"	1/2"
Door Assembly	E	Door Rail	4/4 Hardwood Species 1	2	2 1/4"	16"	3/4"
	F	Door Stile	4/4 Hardwood Species 1	2	2 1/4"	28"	3/4"
	I	Glass Stop	4/4 Hardwood Species 1	2	1/2"	24 1/2"	3/8"
	I1	Glass Stop	4/4 Hardwood Species 1	2	1/2"	12 1/2"	3/8"
Tool Holder Assembly	G	Mounting Block	4/4 Hardwood Species 1	6	1"	1 1/2"	3/4"
	H	Tool Holders	4/4 Hardwood Species 1	3	2 3/8"	16"	3/4"



Materials List

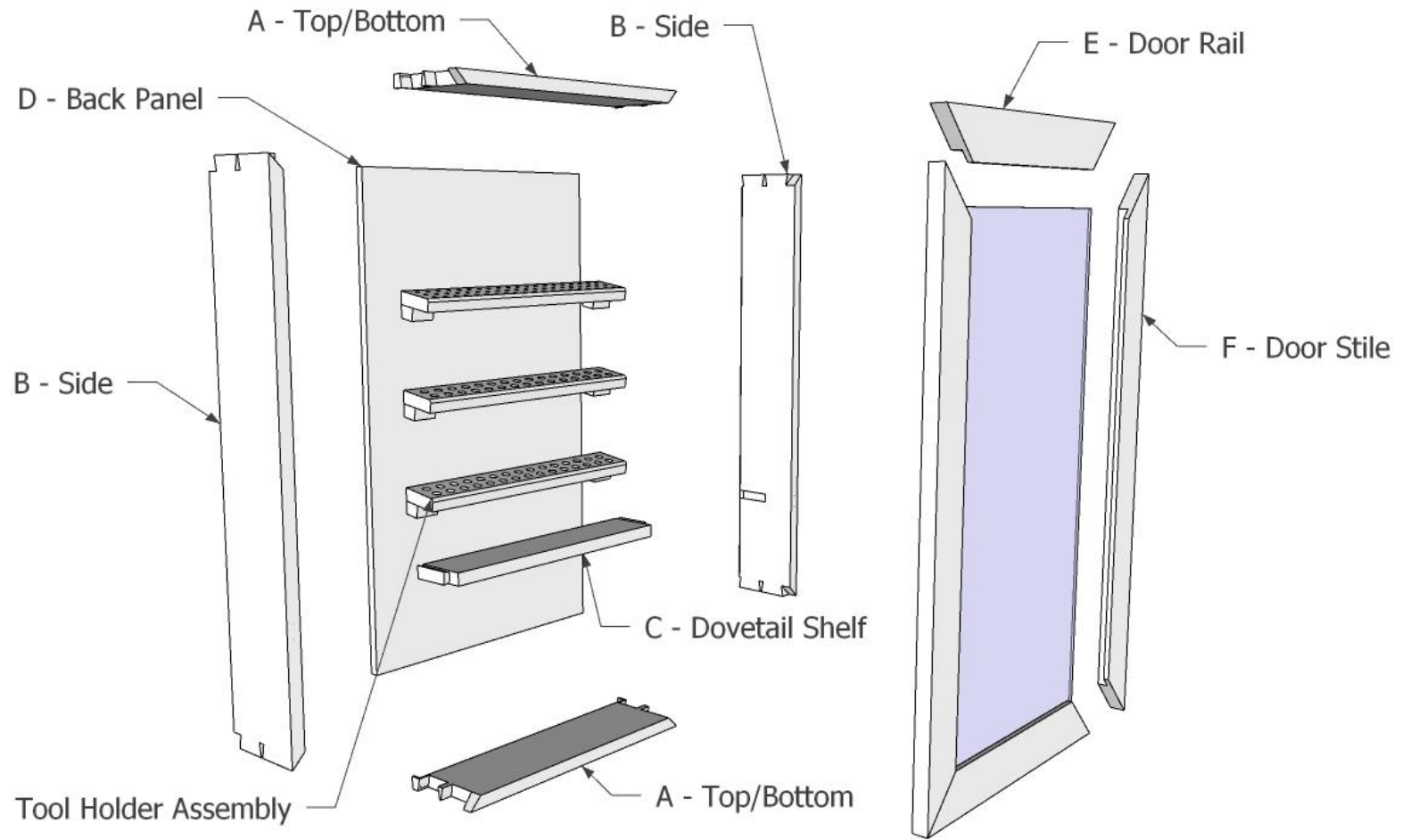
Type	Material	Approximate Board Feet	BF + 20%
Species 1	4/4 Hardwood	6	8

All board foot numbers have been rounded up.

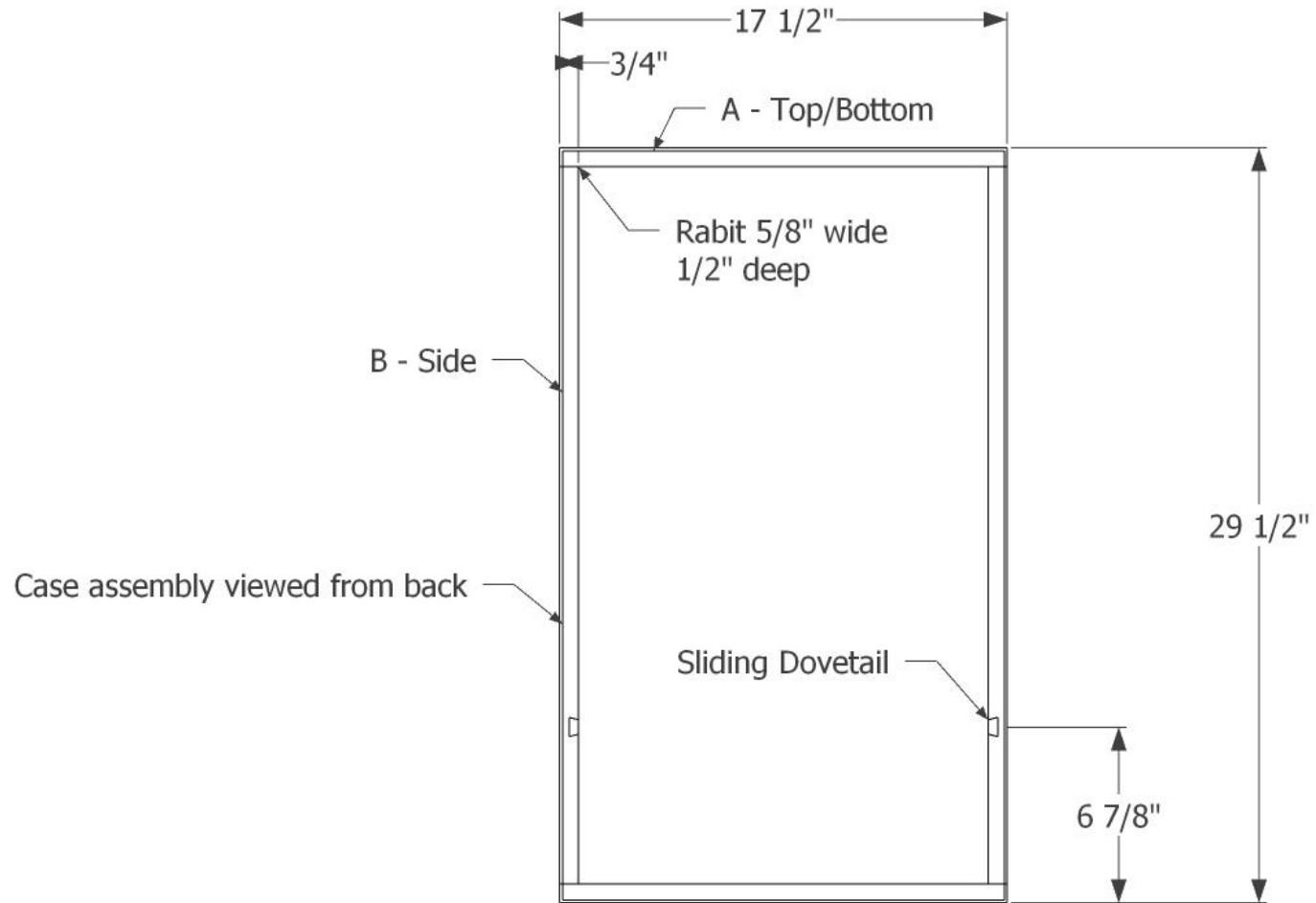
Additional Materials

- 1 each - 1/2" Sheet of plywood (Species 1)
- 1 each - plexiglass 1/8" x 12 1/2" x 25 1/2"
- 1 pair - Butt hinges (Horton Brasses PB207)
- 1 each - Knob (Horton Brasses H-42 3/4")

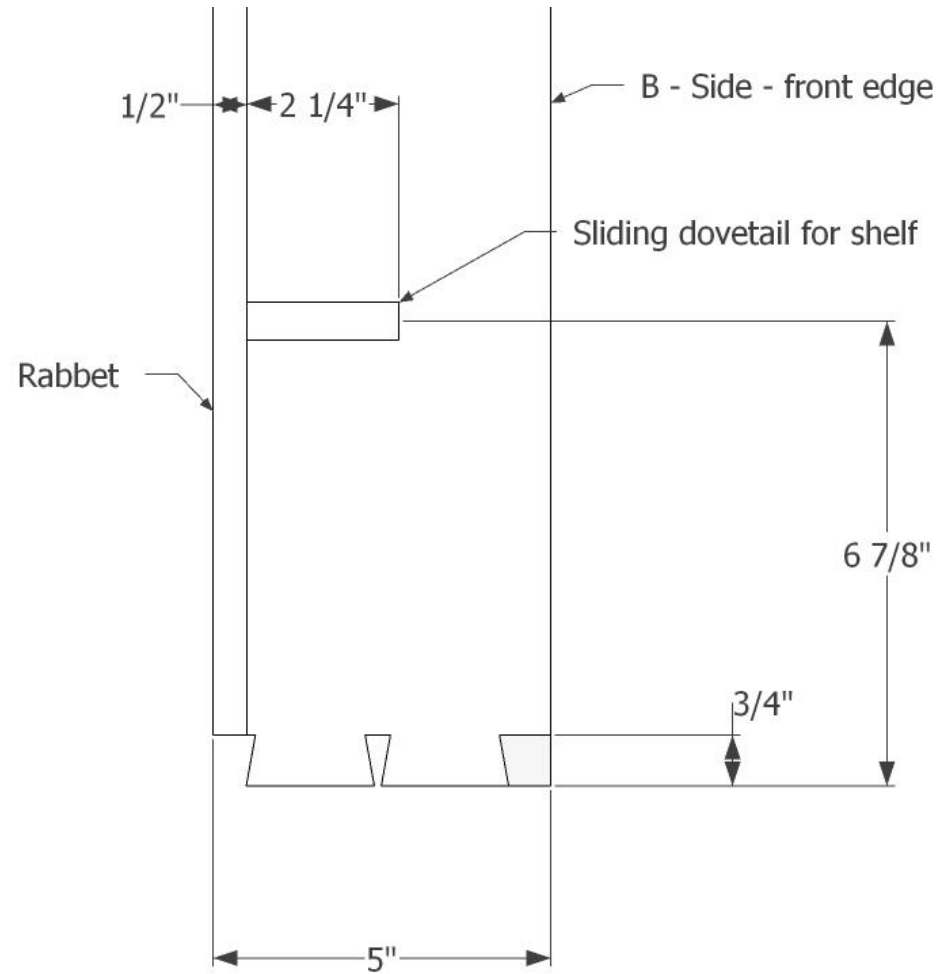
Exploded View



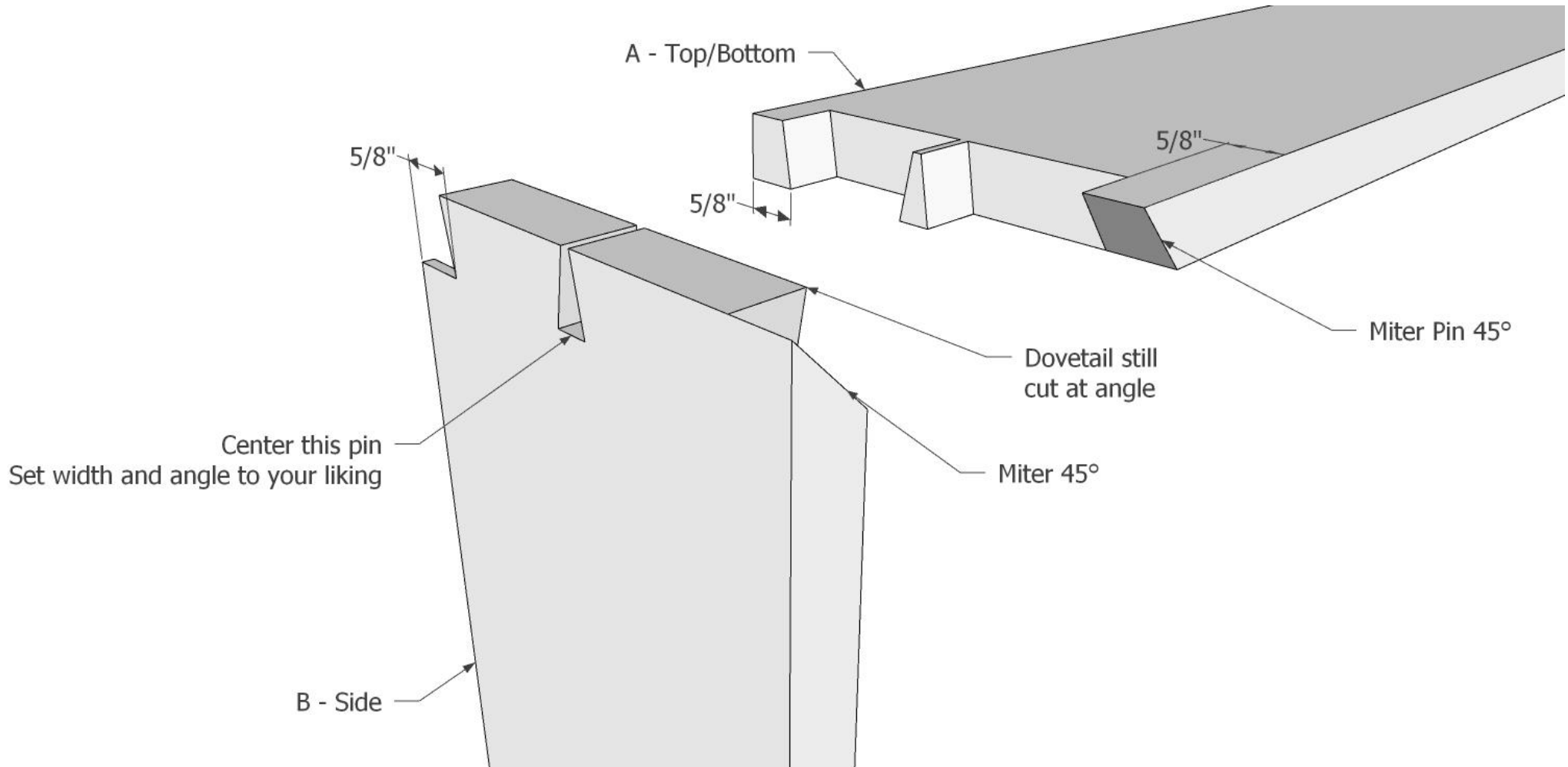
Case Assembly



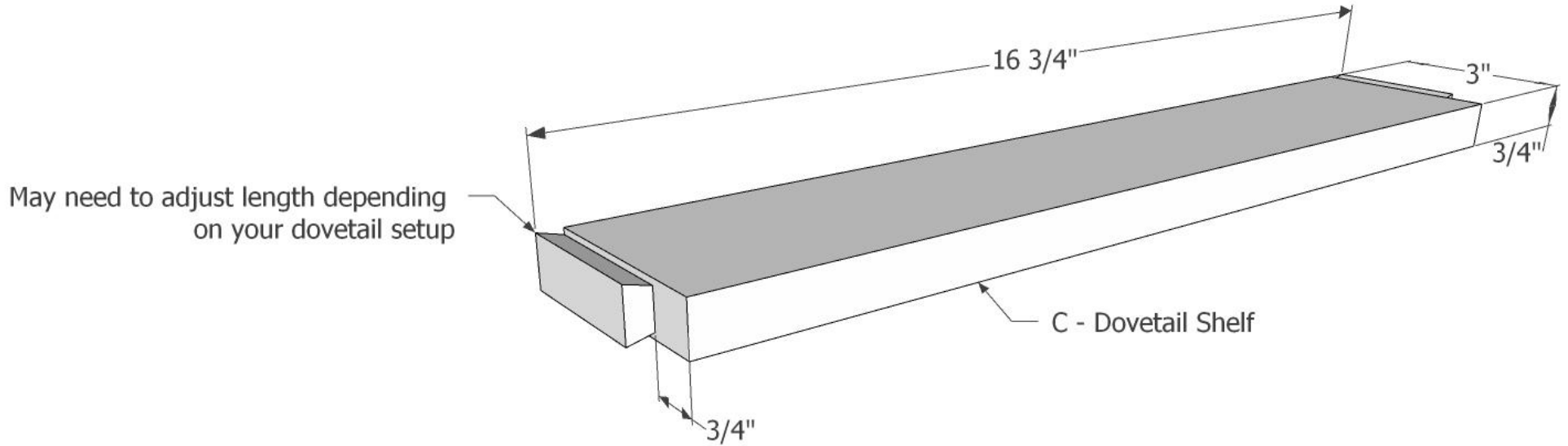
Side Detail



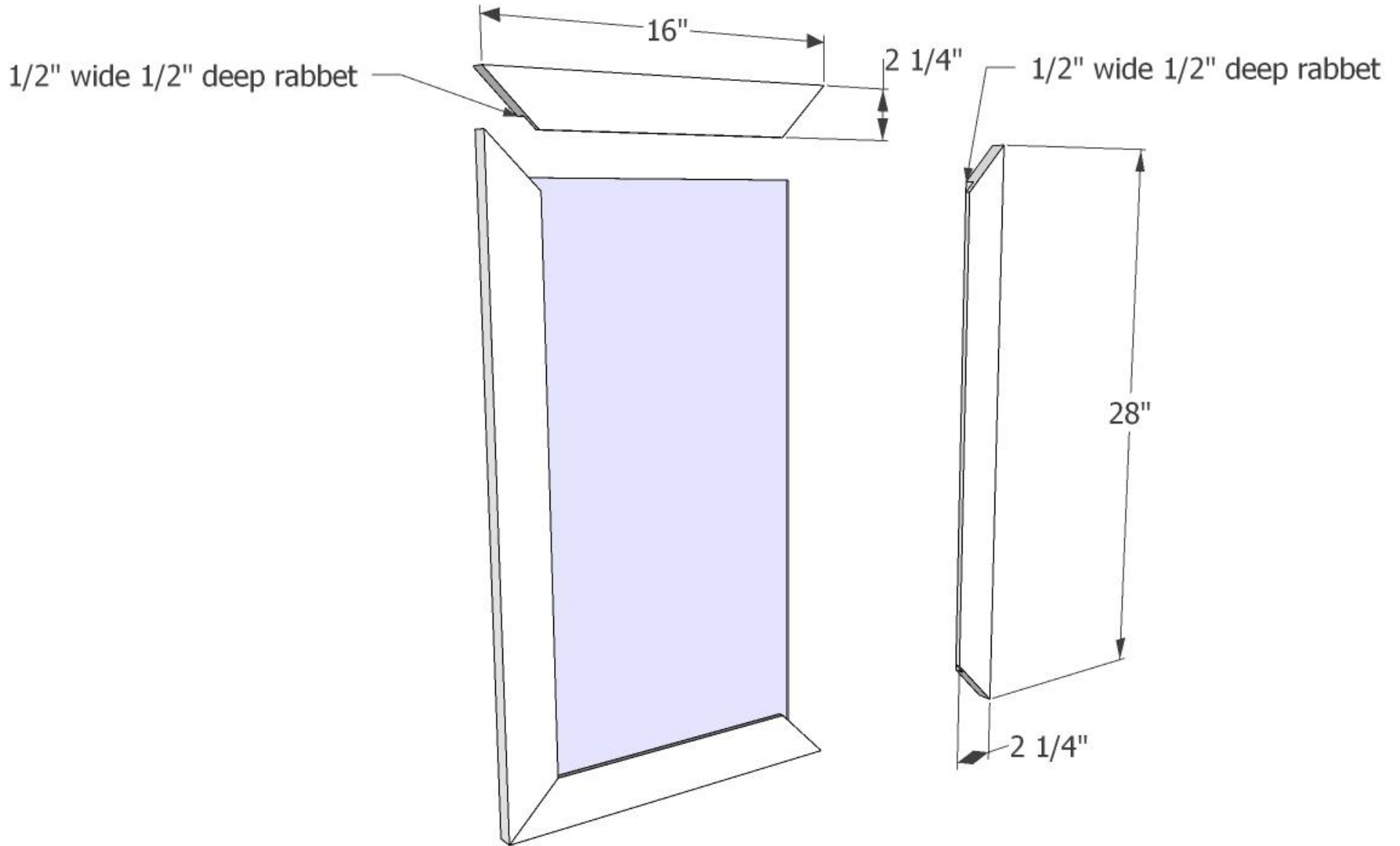
Case Joinery



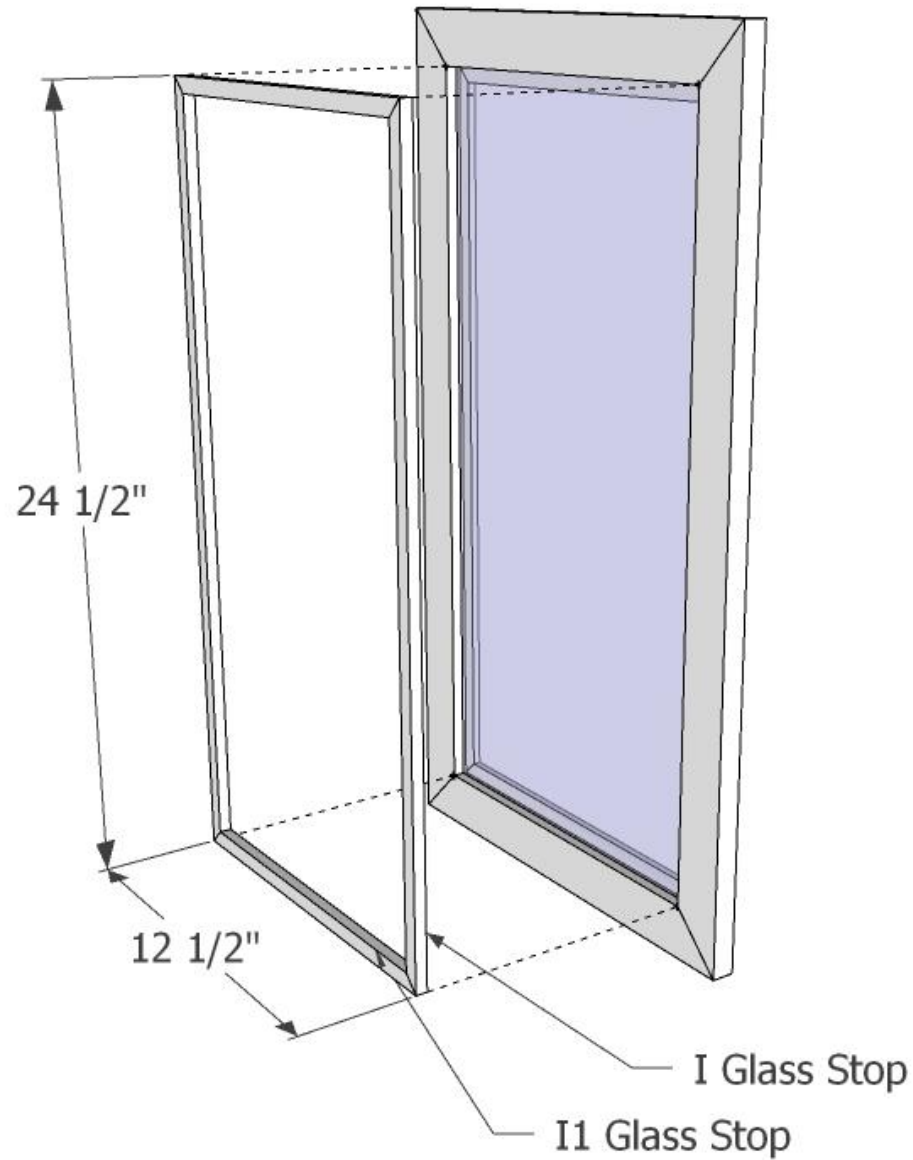
Shelf



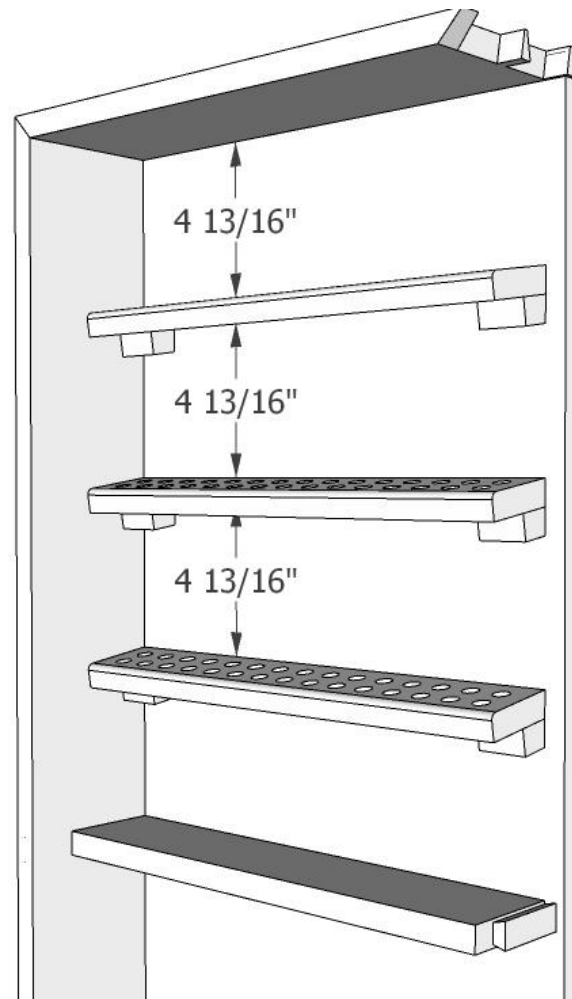
Door Assembly



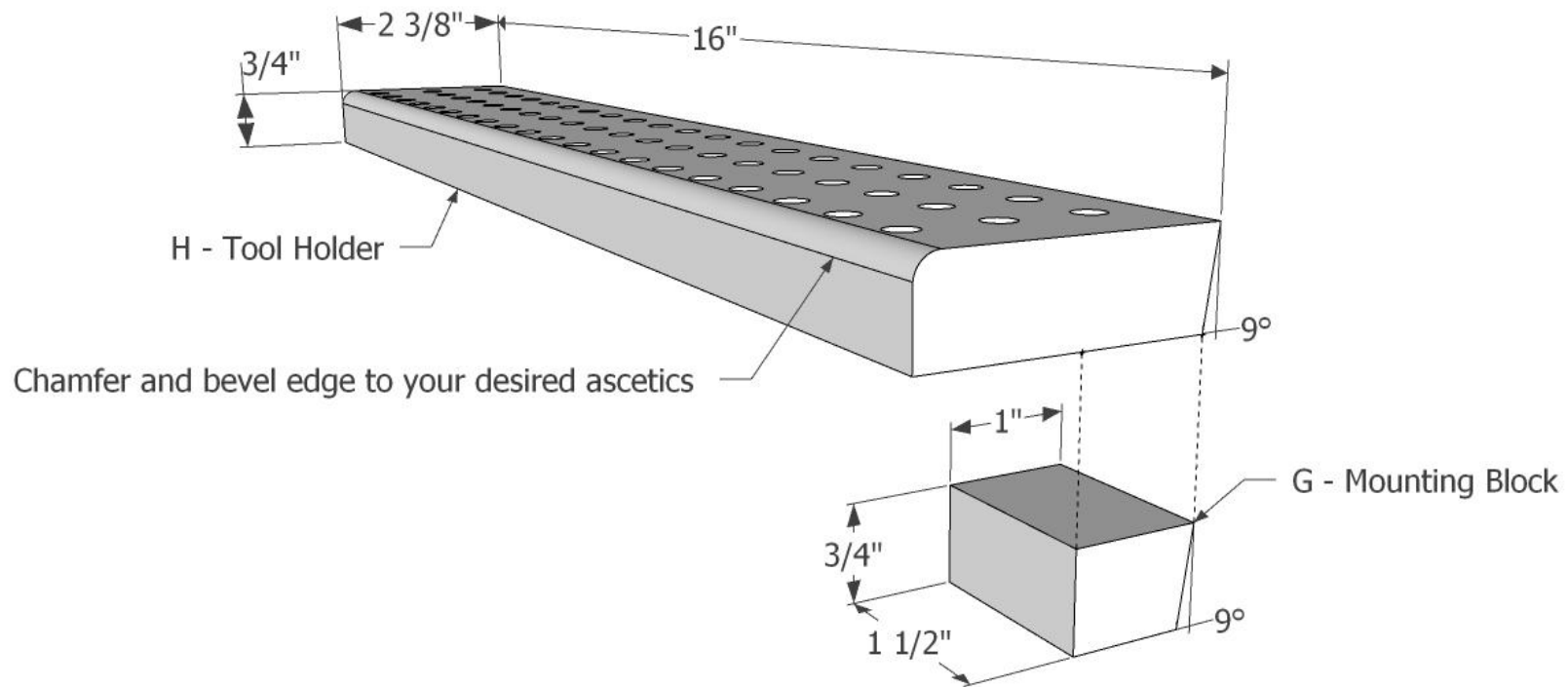
Glass Stop Detail



Tool Holder Assembly



Tool Holder Detail



Tool Holder Drill Pattern

